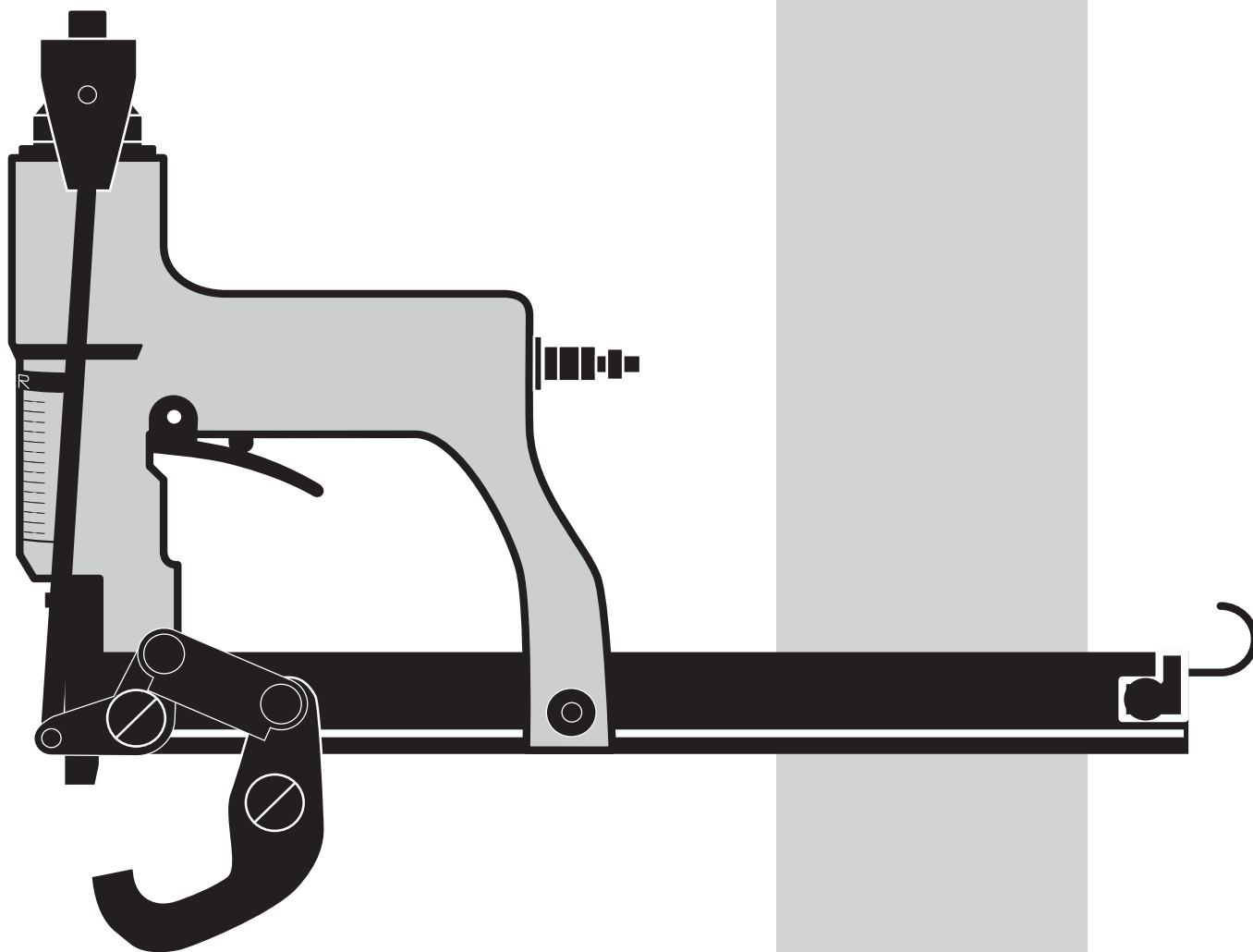


F

Parts Reference Guide



*** Schematic drawings inside**

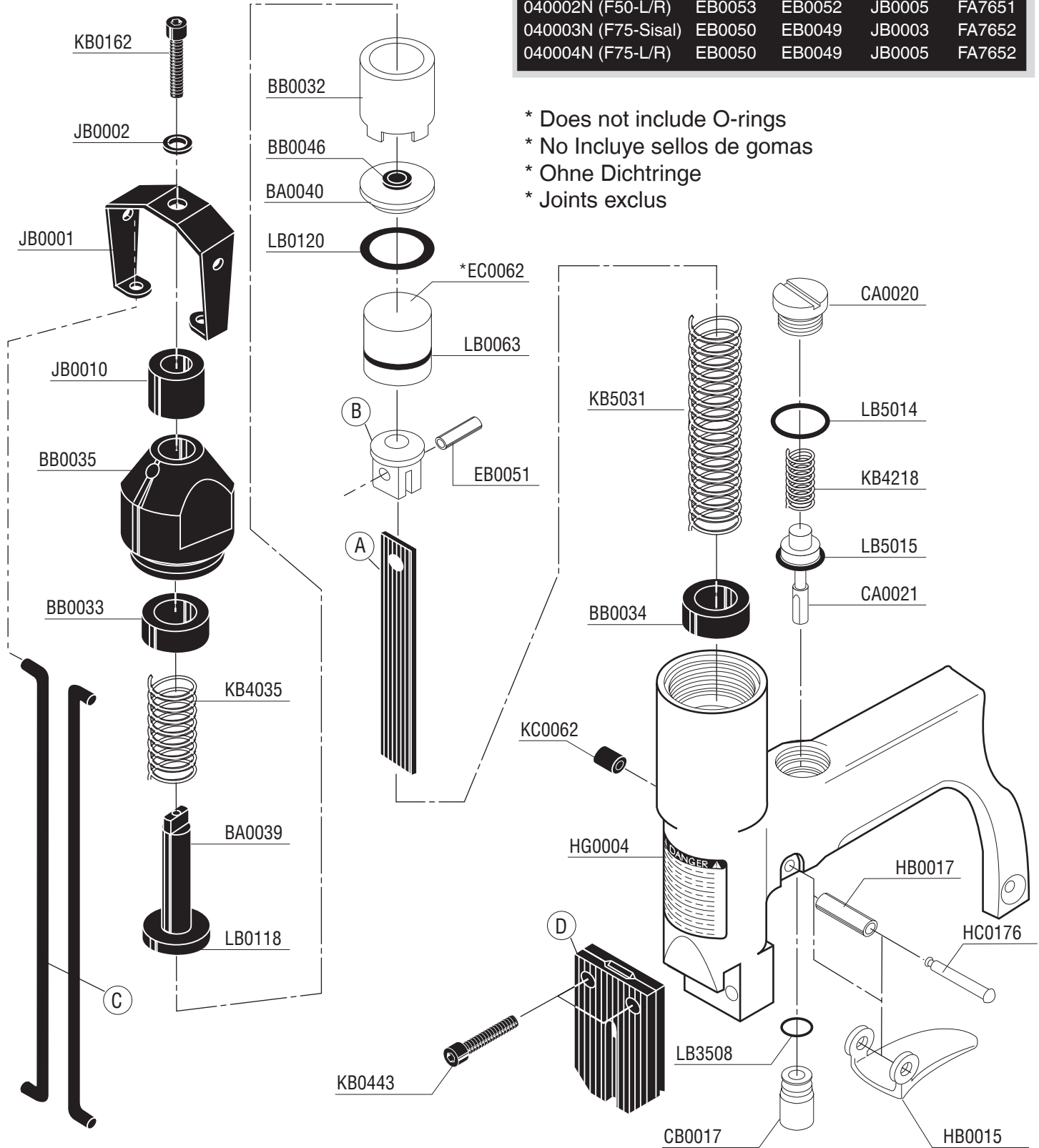
*Senco Products Inc.
8485 Broadwell Road
Cincinnati, Ohio 45244*

*Questions? Comments? call SENCO's toll-free Action-line:
1-800-543-4596 (North and South America Only)
or e-mail: toolprof@senco.com*

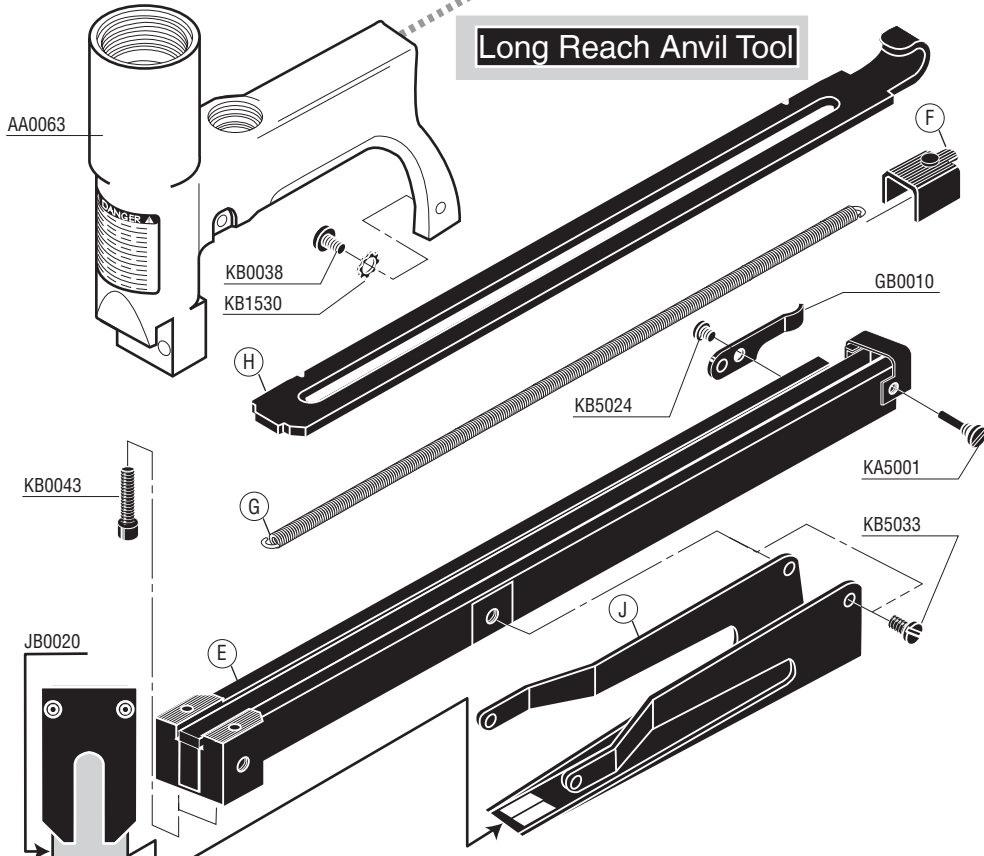
www.senco.com

Model	A	B	C	D
040002N (F50-L/R)	EB0053	EB0052	JB0005	FA7651
040003N (F75-Sisal)	EB0050	EB0049	JB0003	FA7652
040004N (F75-L/R)	EB0050	EB0049	JB0005	FA7652

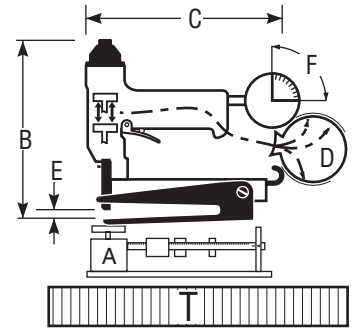
- * Does not include O-rings
- * No Incluye sellos de gomas
- * Ohne Dichtringe
- * Joints exclus



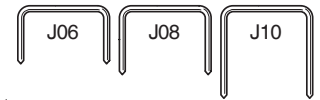
Long Reach Anvil Tool



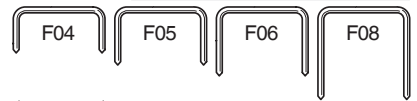
Model	E	F	G	H	J
F50-L/R	GA0062	GA0059	KB5034	GB0019	JA0001
F75-L/R	GA0061	GA0054	KB5035	GB0017	JA0002



A	4 lbs. 7oz.	2,01 kg
B	10 1/2 in.	267mm
C	15 1/2 in.	394mm
D	2.21 cu. in.	36.2cm ³
E	1/2 in. - 5/8 in.	13mm-16mm
F	70-90 P.S.I.G.	4,8-6,1 bar
T	140-244	140-244

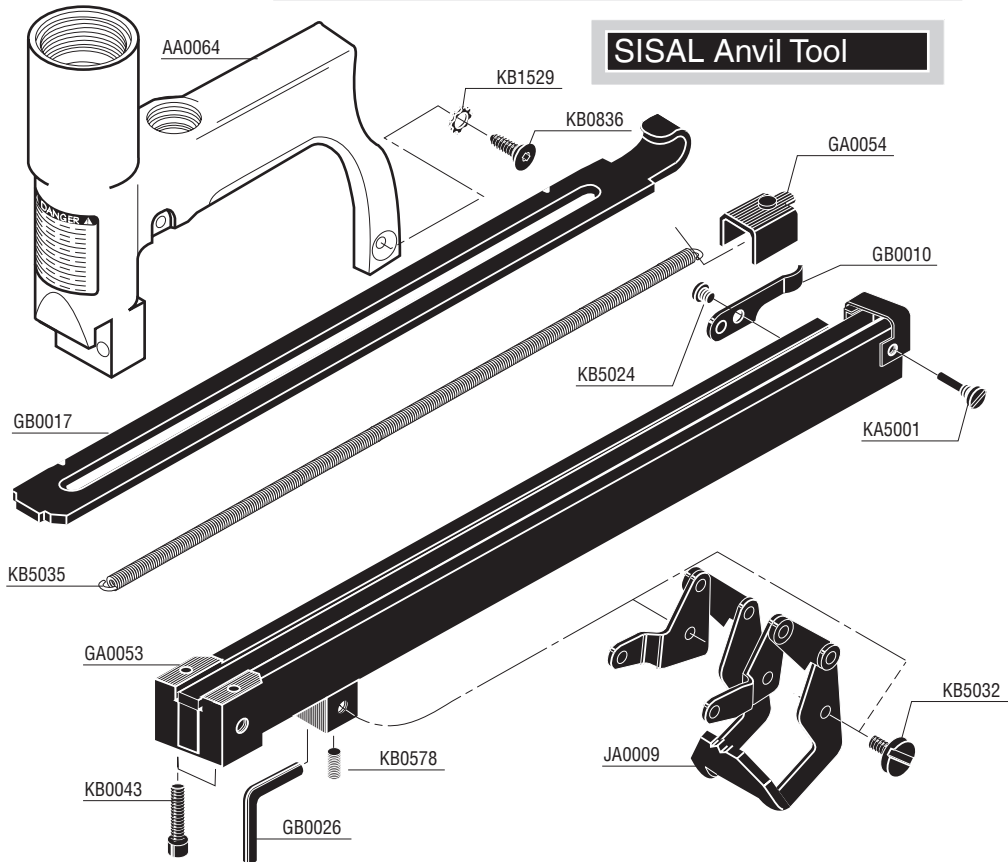


H	7/16 in.	11,1mm
J	.075 in.	1,9mm
K	.023 in.	.6mm
L	3/8 in. - 5/8 in.	10mm - 16mm



H	1/2 in.	13mm
J	.045 in.	1,1mm
K	.023 in.	.6mm
L	1/4 in. - 1/2 in.	6,4mm - 13mm

SISAL Anvil Tool



Available Plugs
(Not Included with Tool)

PC0479 ✓

1/4" Body
Ind. Interchange 1/4" NPT

PC0486

3/8" Body
Ind. Interchange 1/4" NPT

PC0468 ✓

1/4" Body
Tru-Flate 1/4" NPT

PC0474

3/8" Body
Tru-Flate 1/4" NPT

✓ Recommended Plugs
Plugs shown smaller than actual size



REPLACEMENT PARTS LIST • LISTA DE PARTES DE REPUESTO • ERSATSTEILE-LISTE • LISTE DE PIÈCES DE RECHANGE

PART NO.	DESCRIPTION	DESCRIPCIÓN	BESCHREIBUNG	DÉSIGNATION
AA0063	MAIN BODY ASSY.	CARCASA	GEHÄUSE	CORPS
AA0064	MAIN BODY ASSY.	CARCASA	GEHÄUSE	CORPS
BA0039	PISTON ASSEMBLY	ASAMBLE DE PISTON	KOLBEN-ZUSAMMENBAU	PISTON D'ASSEMBLÉE
BA0040	VALVE ASSEMBLY	ASAMBLE DE VALVULA	VENTIL-ZUSAMMENBAU	VALVE D'ASSEMBLÉE
BB0032	CYLINDER	CILINDRO	ZYLINDER	CYLINDRE
BB0033	STOP	TOPE	PUFFER	ARRÊT
BB0034	STOP	TOPE	PUFFER	ARRÊT
BB0035	CAP	TAPA	KAPPE	BOUCHON
BB0046	BUSHING	CASQUILLO	HÜLSE	DOUILLE
CA0020	VALVE ASSEMBLY	ASAMBLE DE VALVULA	VENTIL-ZUSAMMENBAU	VALVE D'ASSEMBLÉE
CA0021	VALVE ASSEMBLY	ASAMBLE DE VALVULA	VENTIL-ZUSAMMENBAU	VALVE D'ASSEMBLÉE
CB0017	VALVE	VALVULA	VENTIL	VALVE
EB0049	RETAINER (F75)	JUNTA TÓRICA	SICHERUNGSRING	RETENUE
EB0050	DRIVER (F75)	PERCUSOR	TREIBER	COUTEAU
EB0051	PIN	PASADOR	STIFT	GOUPILLE
EB0052	RETAINER (F50)	JUNTA TÓRICA	SICHERUNGSRING	RETENUE
EB0053	DRIVER (F50)	PERCUSOR	TREIBER	COUTEAU
EC0062	PISTON	PISTON	KOLBEN	PISTON
FA7651	GUIDE BODY (F50)	ASAMBLE DE PLACA DE NARIZ	KLAMMERFÜHRUNG-ZUSAMMENBAU	FRONT D'ASSEMBLÉE
FA7652	GUIDE BODY (F75)	ASAMBLE DE PLACA DE NARIZ	KLAMMERFÜHRUNG-ZUSAMMENBAU	FRONT D'ASSEMBLÉE
GA0053	RAIL ASSY. (F75-2")	ASAMBLE DE CARRIL	SCHIENE-ZUSAMMENBAU	RAIL D'ASSEMBLÉE
GA0054	FEEDER SHOE (F75)	ALIMENTADOR	KLAMMERSCHIEBER	POUSSOIR
GA0059	FEEDER SHOE	ALIMENTADOR	KLAMMERSCHIEBER	POUSSOIR
GA0061	RAIL ASSY. (F75-L/R)	ASAMBLE DE CARRIL	SCHIENE-ZUSAMMENBAU	RAIL D'ASSEMBLÉE
GA0062	RAIL ASSY.(F50-L/R)	ASAMBLE DE CARRIL	SCHIENE-ZUSAMMENBAU	RAIL D'ASSEMBLÉE
GB0010	RETAINER	JUNTA TÓRICA	SICHERUNGSRING	RETENUE
GB0017	GUIDE (F75)	GUÍA	FÜHRUNG	GUIDE
GB0019	GUIDE (F50)	GUÍA	FÜHRUNG	GUIDE
GB0026	GUIDE	GUÍA	FÜHRUNG	GUIDE
GG0085	LABEL (F75-2")	ETIQUETA	AUFKLEBER	ÉTIQUETTE
GG0088	LABEL (F75-L/R)	ETIQUETA	AUFKLEBER	ÉTIQUETTE
GG0089	LABEL (F50-L/R)	ETIQUETA	AUFKLEBER	ÉTIQUETTE
HB0015	TRIGGER	GATILLO	AUSLÖSER	GACHETTE
HB0017	BUSHING	CASQUILLO	HÜLSE	DOUILLE
HC0176	PIN	PASADOR	STIFT	GOUPILLE
HG0004	LABEL (SAFETY PRECAUTIONS)	ETIQUETA (NORMAS DE SEGURIDAD)	AUFKLEBER (SICHERHEITSHINWEISE)	ÉTIQUETTE (PRÉCAUTIONS DE SÉCURITÉ)
JA0001	ANVIL ASSY. (F50-L/R)	ASAMBLE DE YUNQUE	MATRIZE-ZUSAMMENBAU	ENCLUME D'ASSEMBLÉE
JA0002	ANVIL ASSY. (F75-L/R)	ASAMBLE DE YUNQUE	MATRIZE-ZUSAMMENBAU	ENCLUME D'ASSEMBLÉE
JA0009	ANVIL ASSY. (F75-2" SISAL)	ASAMBLE DE YUNQUE	MATRIZE-ZUSAMMENBAU	ENCLUME D'ASSEMBLÉE
JB0001	BRACKET	SOPORTE	HALTERUNG	SUPPORT DE FIXATION
JB0002	WASHER	ARANDELA	SCHIBE	RONDELLE
JB0003	YOKE (2" SISAL)	HORQUILLA	BÜGEL	ÉTRIER
JB0005	YOKE (L/R)	HORQUILLA	BÜGEL	ÉTRIER
JB0010	BUSHING	CASQUILLO	HÜLSE	DOUILLE
JB0020	ANVIL GAGE	MEDIDA	MESSEN	MESURE
KA5001	RETAINER	JUNTA TÓRICA	SICHERUNGSRING	RETENUE
KB0028	SCREW	TORNILLO	SCHRAUBE	VIS
KB0038	SCREW (L/R)	TORNILLO	SCHRAUBE	VIS
KB0043	SCREW	TORNILLO	SCHRAUBE	VIS
KB0162	SCREW	TORNILLO	SCHRAUBE	VIS
KB0443	SCREW	TORNILLO	SCHRAUBE	VIS
KB0578	SCREW (SISAL)	TORNILLO	SCHRAUBE	VIS
KB0836	SCREW (SISAL)	TORNILLO	SCHRAUBE	VIS
KB1529	WASHER (SISAL)	ARANDELA	SCHIBE	RONDELLE
KB1530	WASHER (L/R)	ARANDELA	SCHIBE	RONDELLE
KB4035	SPRING	RESORTE	FEDER	RESSORT
KB4218	SPRING	RESORTE	FEDER	RESSORT
KB5024	SCREW	TORNILLO	SCHRAUBE	VIS
KB5031	SPRING	RESORTE	FEDER	RESSORT
KB5032	SCREW (SISAL)	TORNILLO	SCHRAUBE	VIS
KB5033	SCREW (L/R)	TORNILLO	SCHRAUBE	VIS
KB5034	SPRING (F50)	RESORTE	FEDER	RESSORT
KB5035	SPRING (F75)	RESORTE	FEDER	RESSORT
KB5049	PIN	PASADOR	STIFT	GOUPILLE
KC0062	RETAINER	JUNTA TÓRICA	SICHERUNGSRING	RETENUE
LB0063	SEAL	SELLO	DICHTUNG	JOINT
LB0118	SEAL	SELLO	DICHTUNG	JOINT
LB0120	SEAL	SELLO	DICHTUNG	JOINT
LB3508	SEAL	SELLO	DICHTUNG	JOINT
LB5014	SEAL	SELLO	DICHTUNG	JOINT
LB5015	SEAL	SELLO	DICHTUNG	JOINT