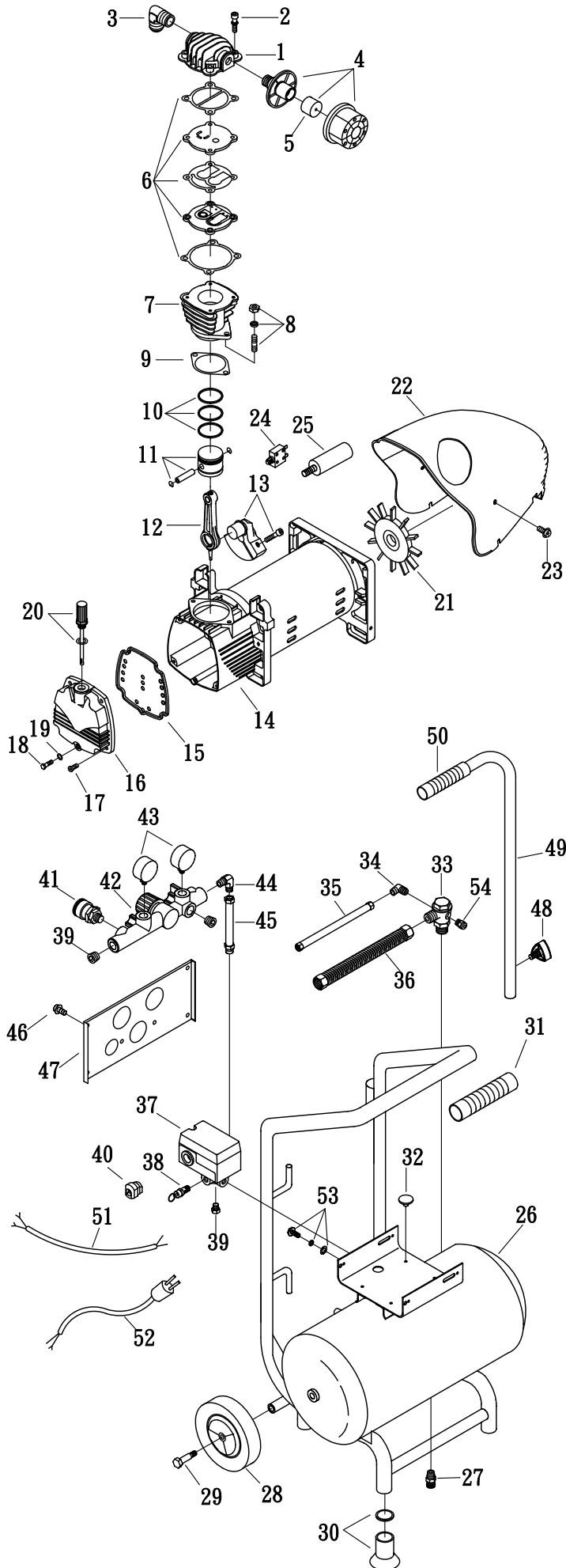


SPARE PARTS LIST

NO : RLB-1311



REF. NO.	DESCRIPTION	PART NO.	QTY.
1	Cylinder head	3101061	1
2	Allen bolt set	3B01-M06*040V	4
3	Exhaust elbow	2N06-03T03H	1
4	Air filter	2140023ARS	1
5	Filter element	2142017	1
6	In. & Ex. valve assembly	3B13-AC0747	1
7	Cylinder	3201066	1
8	Double head screw set	3B11-008-A	2
9	Cylinder gasket	2G04-015	1
10	Piston ring set	3B32-47N	1
11	Piston set	3B31-47	1
12	Rod	2315055X	1
13	Crankshaft & balancer	3304081	1
14	Motor set	3B8-XD2006	1
15	Front cover gasket	2G07-010A	1
16	Front cover	3309024	1
17	Bolt	2B02-FM6*015	4
18	Bolt	2B02-FM6*035	1
19	O-ring	2N52-P06	1
20	Dipstick set	2339008ARS	1
21	Cooling fan	2336037-2	1
22	Shroud	2428014RS	1
23	Bolt	2B02-FM5*010WB	4
24	Circuit breaker	2E25-10AS	1
25	Running capacitor	2E27-030S45X45	1
26	Air tank	3401C029	1
27	Drain valve	2405012	1
28	Tank wheel	2402015RS	2
29	Tank wheel bolt	2418001RS	2
30	Rubber pad set	2433006-ARS	2
31	Rubber grip	2432102RS	1
32	Feet block	2439016	4
33	Check valve	2414037X	1
34	Unloading tube	2N06-01T02H	1
35	Unloading tube set	3B2-02*170F	1
36	Exhaust tube set	3B2-03*420	1
37	Pressure switch	2E21-BA266APS	1
38	Pressure relief valve	2406018CE	1
39	Plug	2B14-ST02E	3
40	Strain relief bushing	2E04-010	3
41	Quick coupler	07S1/4M-ERS	1
42	Regulator with manifold	2408012RS	1
43	Pressure gauge	2D12-15V14BAR	2
44	Elbow	2N06-02T02SRS	1
45	Tube	2T06-026RS	1
46	Bolt	2B02-FM5*010WB	6
47	Panel	3420072	1
48	Bolt	2B44-FM08*018RS	1
49	Grip	3432072	1
50	Rubber grip	2432004RS	1
51	Cable	2E02-2C30502Y2T	1
52	Power cable	2E01-029	1
53	Hexagon bolt set	3B00-SM06*020VW	4
54	Auto relief valve	2409010	1