



# *DuraSpin*<sup>®</sup>

## Screw Fastening System



### *Parts Reference Guide*



\* Schematic Drawings inside

# ***DS275-AC***

Senco Products Inc.  
8485 Broadwell Road  
Cincinnati, Ohio 45244

Questions? Comments? call Senco's toll-free Action-line:  
1-800-543-4596 (North and South America Only)  
or e-mail: [toolprof@senco.com](mailto:toolprof@senco.com)

Visit Our Website: [www.senco.com](http://www.senco.com)

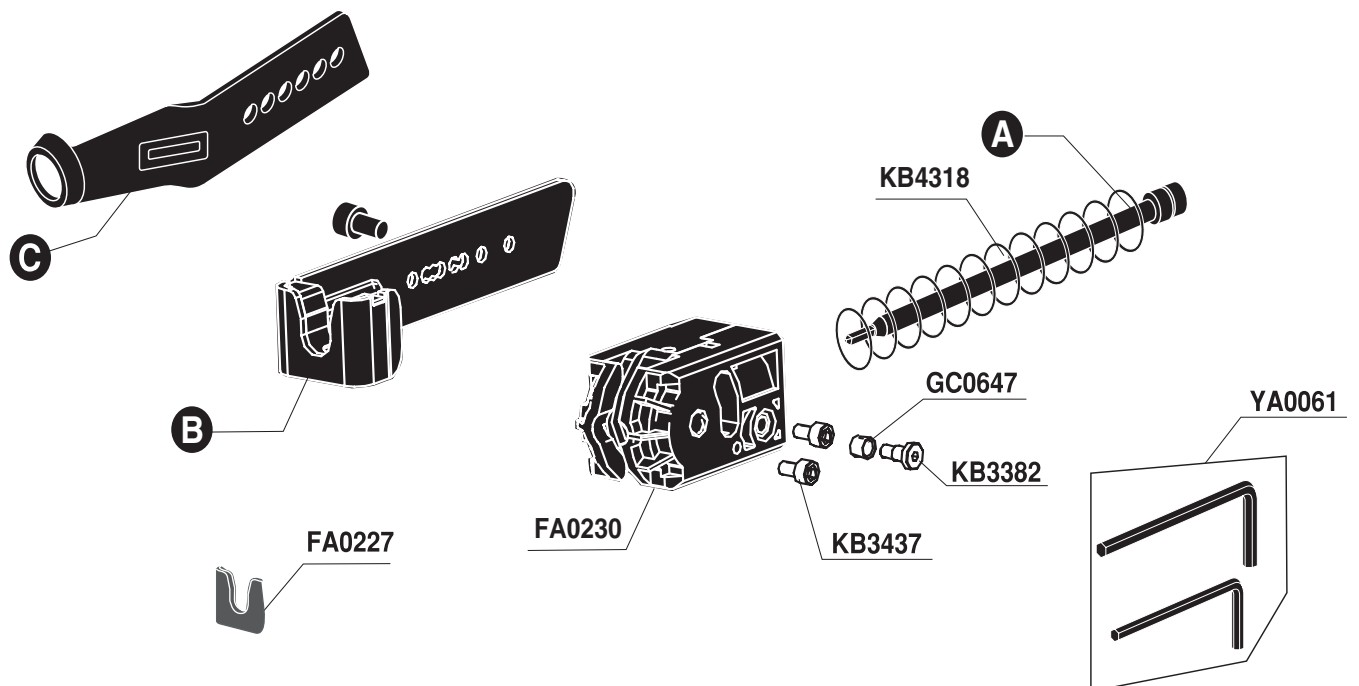
Issued January 20, 2006 © 2006 by Senco Products, Inc. Cincinnati, Ohio 45244-U.S.A.

# DS275-AC

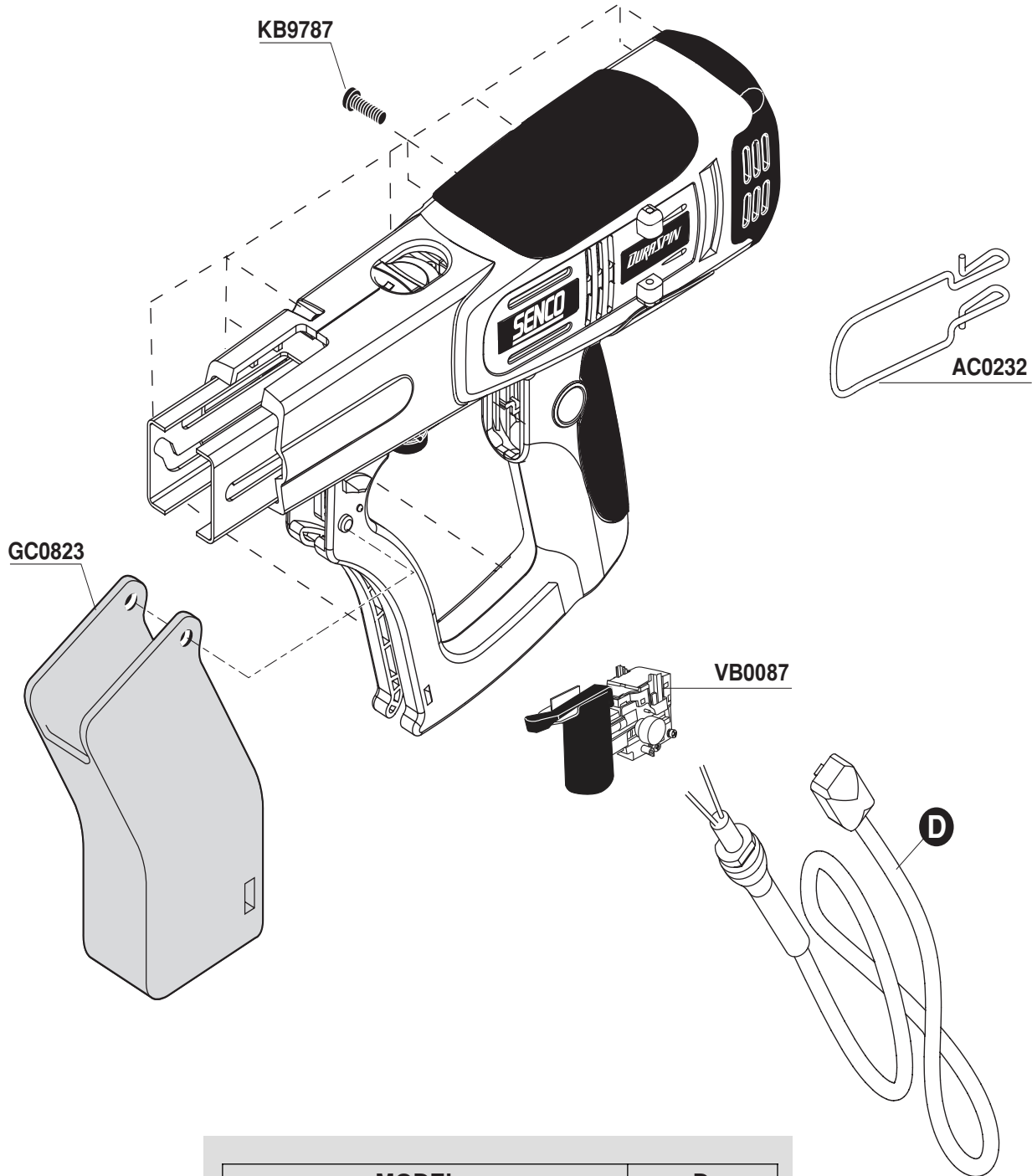


| Bits            | A       |
|-----------------|---------|
| Phillips Driver | BP275AC |
| Square          | BS275AC |

|            | B       | C          |
|------------|---------|------------|
| Nose Piece | B(Wood) | C(Drywall) |
| US         | FA0232  | FA0231     |
| CE         | FA0233  | FA0234     |



# DS275-AC



| MODEL                 | D      |
|-----------------------|--------|
| 4P2001N DS275-AC EURO | VB0046 |
| 4P7001N DS275-AC UK   | VB0049 |
| 4P7002N DS275-AC UK   | VB0053 |

# DuraSpin® DS275-AC

REPLACEMENT PARTS LIST • LISTA DE PARTES DE REPUESTO • ERSATSTEILE-LISTE • LISTE DE PIÈCES DE RECHANGE

| PART NO. | DESCRIPTION               | DESCRIPCIÓN                   | BESCHREIBUNG           | DÉSIGNATION               |
|----------|---------------------------|-------------------------------|------------------------|---------------------------|
| AC0232   | BELT HOOK                 | GANCHO DE CINTURÓN            | GURTHAKEN              | CROCHET DE CEINTURE       |
| BP275AC  | SCREW BIT (Phillips No.2) | BROCA DE TORNILLO             | SCHRAUBENDREHERBIT     | BROCHE À VIS              |
| BS275AC  | SCREW BIT (Square No.2)   | BROCA DE TORNILLO             | SCHRAUBENDREHERBIT     | BROCHE À VIS              |
| FA0230   | SLIDE BODY ASSEMBLY       | CONJUNTO DE CUERPO DESLIZANTE | BAUGRUPPE GLEITGEHÄUSE | ASSEMBLAGE BLOC GLISSIERE |
| FA0227   | NON-SKID PAD              | ANTIDESLIZANTE PISTA          | GLEITSICHERE AUFLAGE   | ANTIDÉRAPANTE GARNITURE   |
| GC0647   | ROLLER                    | RODILLO                       | ROLLE                  | GALET                     |
| GC0823   | STRIP GUIDE COVER         | CUBIERTA                      | ABDECKUNG              | COUVERCLE                 |
| KB0017   | SCREW                     | TORNILLO                      | SCHRAUBE               | VIS                       |
| KB3382   | SCREW                     | TORNILLO                      | SCHRAUBE               | VIS                       |
| KB3437   | SCREW                     | TORNILLO                      | SCHRAUBE               | VIS                       |
| KB4318   | RETURN SPRING             | MUELLE                        | FEDER                  | RESSORT                   |
| KB9787   | SCREW                     | TORNILLO                      | SCHRAUBE               | VIS                       |
| VB0046   | ELECTRIC CORD (EURO)      | CUERDA ELÉTRICA               | ELEKTRISCHES NETZKABEL | CORDE ÉLECTRIQUE          |
| VB0087   | TRIGGER ASSEMBLY          | ASAMBLE DE GATILLO            | AUSLÖSER-ZUSAMMENBAU   | GACHETTED' ASSEMBLÉE      |
| VB0049   | ELECTRIC CORD (UK)        | CUERDA ELÉTRICA               | ELEKTRISCHES NETZKABEL | CORDE ÉLECTRIQUE          |
| VB0053   | ELECTRIC CORD (UK) (110)  | CUERDA ELÉTRICA               | ELEKTRISCHES NETZKABEL | CORDE ÉLECTRIQUE          |
| YA0061   | WRENCH KIT                | CONJUNTO                      | EINBAUSATZ             | KIT                       |